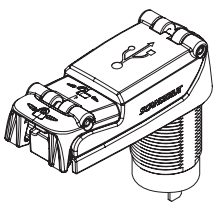
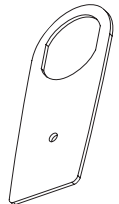
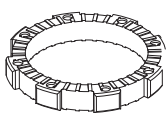
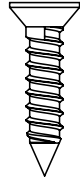




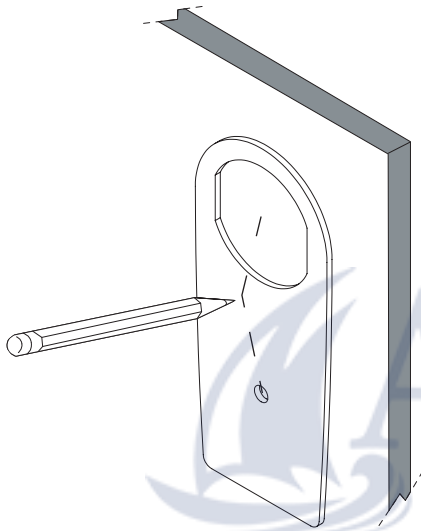


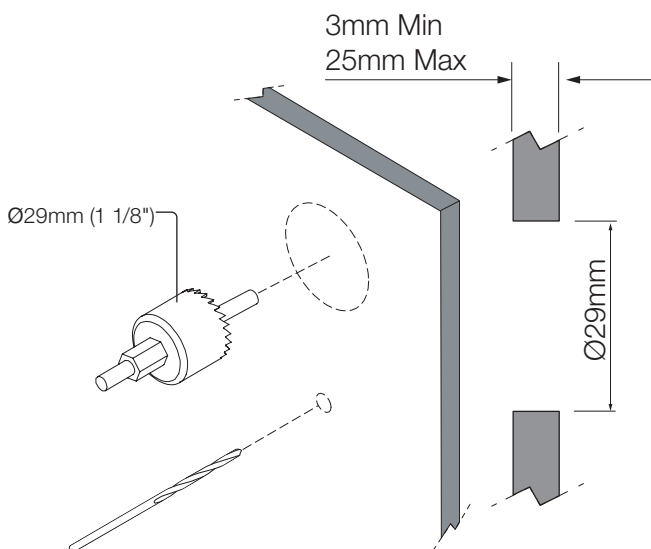
Part List	
	Shell X1
	Gasket X1
	Lock Ring X1
	No.6 x 16 X1

Tools Required	
 Ø2.5mm (3/32") Drill Bit	 Pozi Screwdriver
 Ø29mm (1 1/8") Hole Saw	 Silicone

① Mark hole centre for drilling

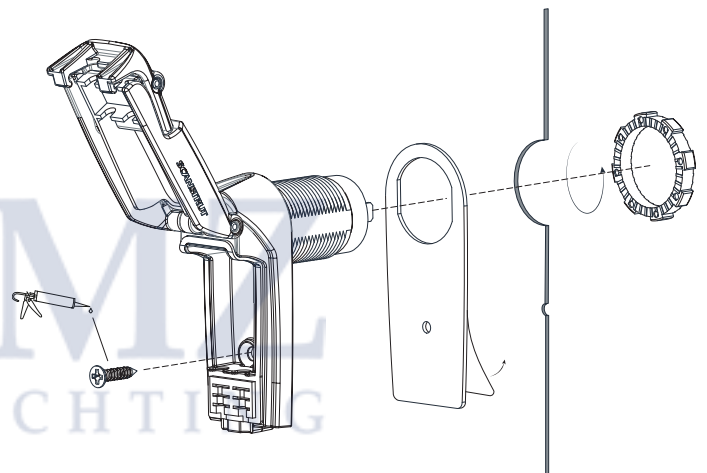


② Drill mounting holes (see tools required).

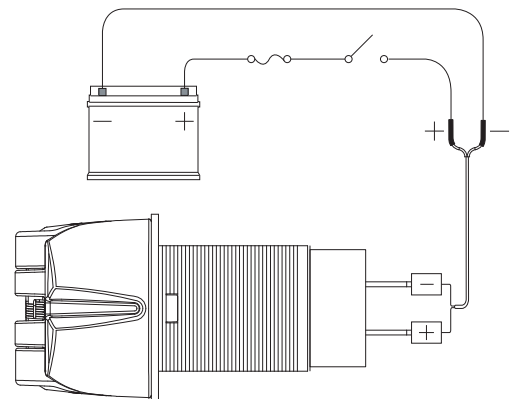


Pilot Hole Size	
Material	No. 6 Screw
Soft Material e.g Plywood	2.5mm (3/32")
Hard Material e.g Fiberglass	3mm (1/8")

- ③ - Feed SC-USB-03 through the gasket and hole.
 - Tighten lock ring onto product until securely fixed.
 - Screw product into place.



- ④ Connect to 12/24V supply, ensuring a waterproof connection. Fuse and select cable diameter according to input voltage and current for your specific installation.



UK & International
 +44 (0)1392531280
 sales@scanstrut.com

For further installation
 and warranty information
 please visit:
 www.scanstrut.com

USA
 +1 860 308 1416
 usasales@scanstrut.com

Technical information.

Input voltage 12/24V System	10-32V DC
Input current Max	6 A
Output Type C (12V System)	5V 3A, 9V 3A, 12V 3A MAX
Output Type C (24V System)	5V 3A, 9V 3A, 12V 3A, 15V 3A, 20V 3A MAX
Output Type A MAX	5V 1.5A, 9V 1.5A, 12V 1.5A/3A MAX
Standby draw	0.01W
Waterproof rating	IPX6
Certification	CE, FCC, C-Tick, ROHS, UKCA



READ IMPORTANT SAFETY INFORMATION BEFORE INSTALLING.

WARNING:
This product is to be connected to a 12V DC or 24V DC battery power source only. The power supply must be switched off before installation.

according to the instructions and on a perfectly flat, smooth and non-porous surface. When choosing a mounting location, avoid areas exposed to heat radiation devices and areas with poor ventilation

An appropriate fuse or circuit breaker must be used between the battery / power source and this product. Check for correct polarity of all wiring before switching the power on.

WIRING:
Professional electrician installation recommended, see Technical Information for power requirements.

This product may contain high voltages. Do not tamper with the product.

To achieve max power output, the specified voltage must be at the charger. Battery performance and voltage drop needs to be considered for installation.

This product is NOT approved for use in hazardous/flammable atmospheres. Do NOT install in a hazardous/flammable atmosphere e.g. engine room.

ENVIRONMENTAL PROTECTION:
Waste electrical products should not be disposed of with household waste. Please recycle where facilities exist. Check with your Local Authority or retailer for recycling advice.

Before drilling any holes, ensure the area behind the mounting location is clear of wires, fuel and all other hazardous objects.

IMPORTANT:
Scanstrut Ltd & Inc. accepts no responsibility for any injuries or other damages arising from the use of their products in any circumstances.

Ensure any holes cut will not significantly weaken the structure of the mounting surface.

If the product needs to be mounted outside, it must be mounted in a location safely above the waterline, where it is not at risk of being submerged.

WARRANTY:
A 2 year, non-transferrable warranty covers this Scanstrut product only and not any devices that are charged by it. No warranty is given for users' devices and users expose their devices to hazards, known or unknown, at their own risk.

CAUTION:

This product does not contain any user serviceable parts. DO NOT attempt to repair or modify the product in any way.

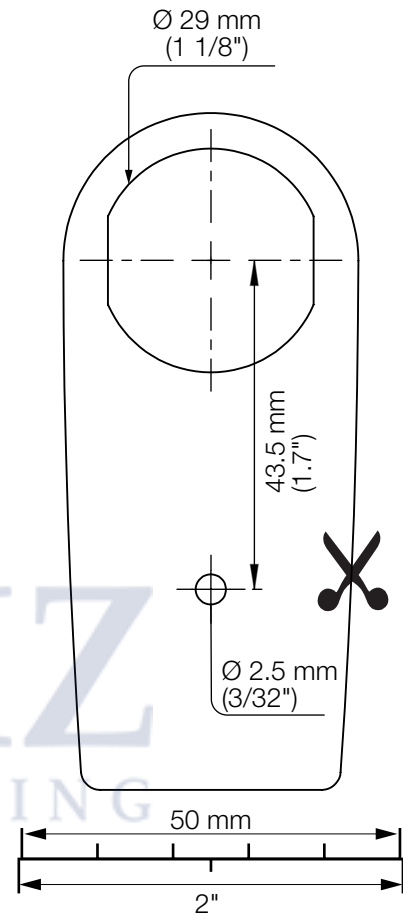
CE Warning
Scanstrut Ltd, declares the product 'ROKK CHARGE+' SKU: SC-USB-03 is in compliance with EMC CE Directive (2014/30/EC).

When used in high ambient temperature or in direct sunlight, the product may turn off temporarily, this is a safety feature of the electronics.

The CE certificate of conformity can be found at www.scanstrut.com/uk/compliance.

The IP protection rating is only valid if the installation is carried out correctly

Cutting Template
1:1 Scale



Print document 1:1 Scale for correct cutting template size.

UK & International
+44 (0)1392531280
sales@scanstrut.com

For further installation and warranty information please visit:
www.scanstrut.com

USA
+1 860 308 1416
usasales@scanstrut.com

